

# *Transferable Sprockets*

## *Weld-on Sprockets*

**NEW**

***New idea***

***New criterion***

***New design***

***New creation***



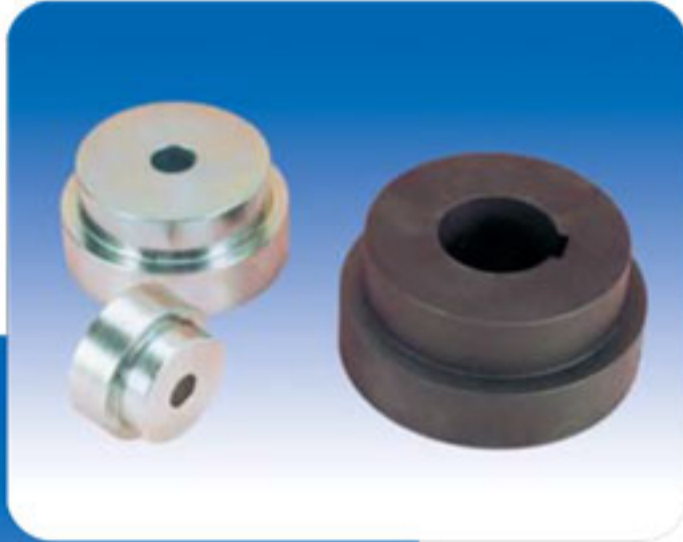
Based on years of sprocket production and distribution experience, NSPT designed and invented series of standard sprockets in easy installation style. Various types of standard sprockets can be made by various component combinations, whose utility function is the same with that of traditional ones. Therefore, the stock of standard items, in terms of type and quantity, can be greatly decreased by over 70%; and commercialization for standard sprockets can be maximally realized.

# Transferable Sprockets

## Weld-on Sprockets

**NEW**

"C" Series Combination Sprockets and Hubs



"DS" Series Combination Sprockets and Hubs



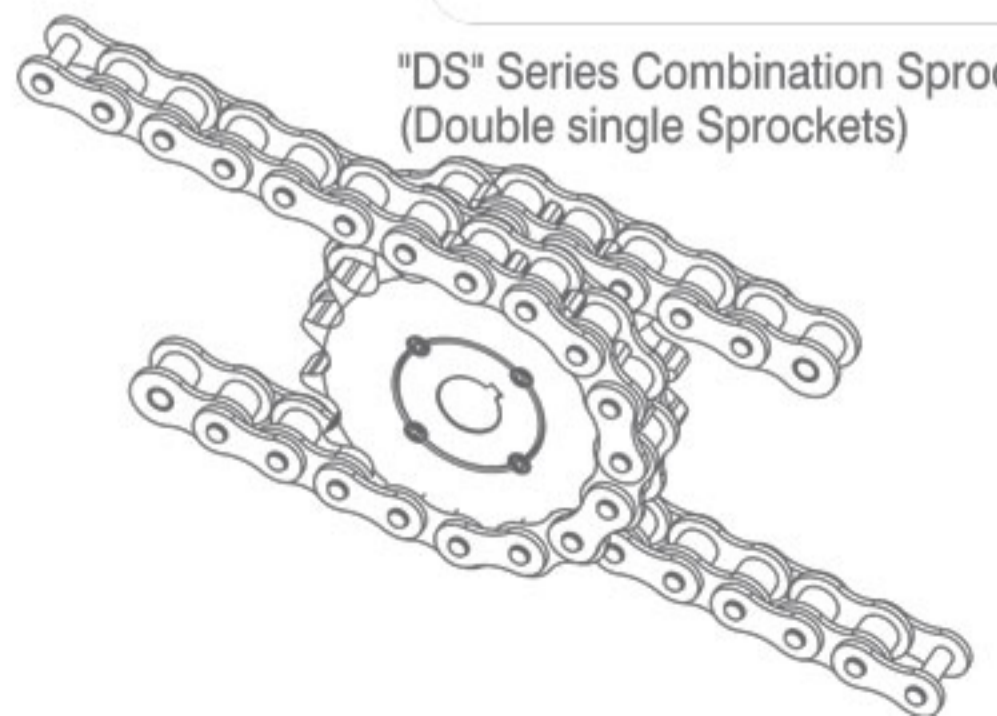
"S" Series Combination Sprockets and Hubs



"D" Series Combination Sprockets (Duplex Sprockets)



"DS" Series Combination Sprockets (Double single Sprockets)



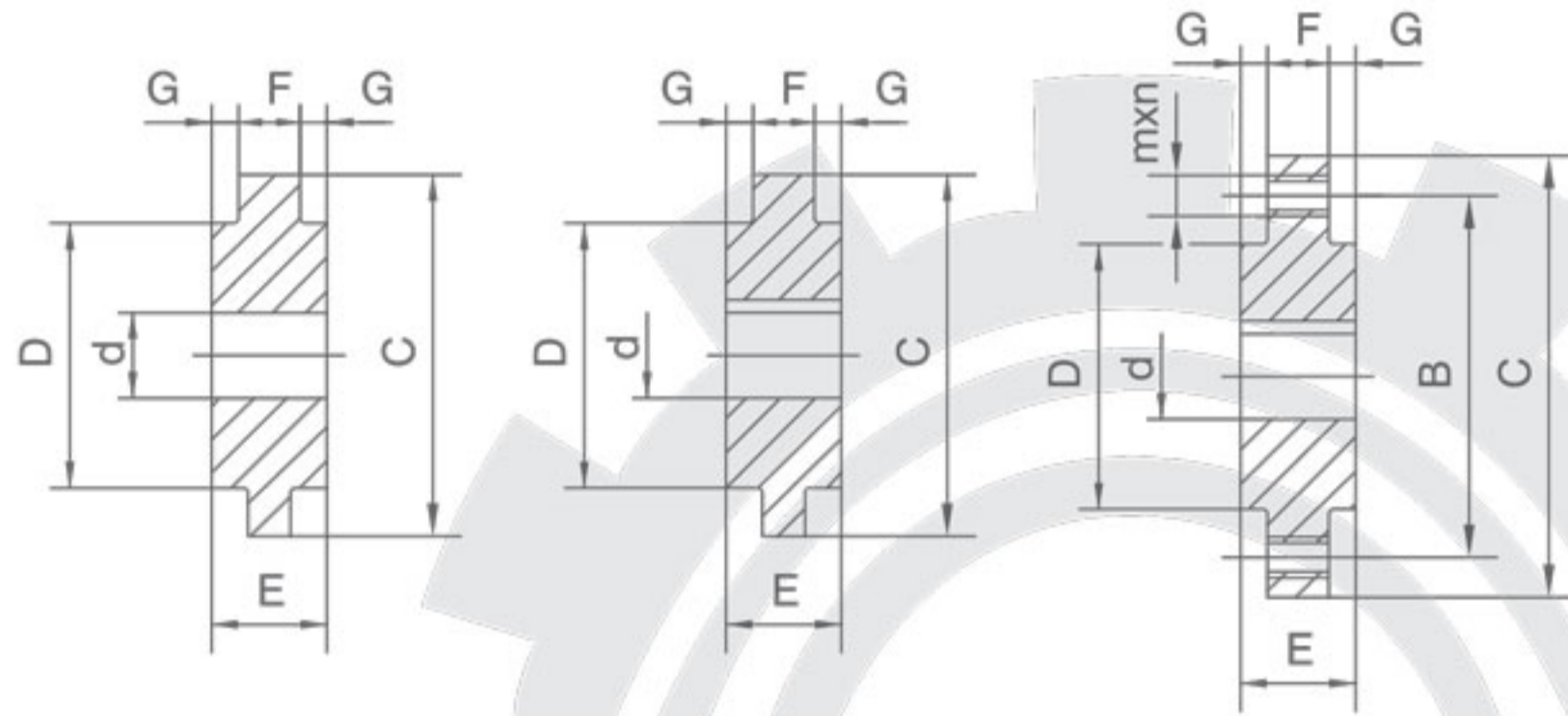
# Transferable Sprockets

## Weld-on Sprockets



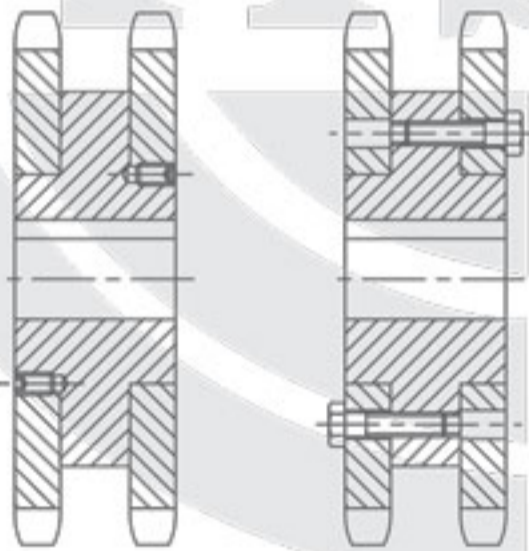
CMD and SND hubs designed by NSPT are specially used to form standard duplex combinatory sprockets. The sprockets can be obtained from pitch 3/8" to 1 1/2". All the dimensions and functions are exactly the same as the traditional duplex sprockets.

CMD and SND are special hubs for the Combinatory Sprockets matching with the Standard Duplex Chains.

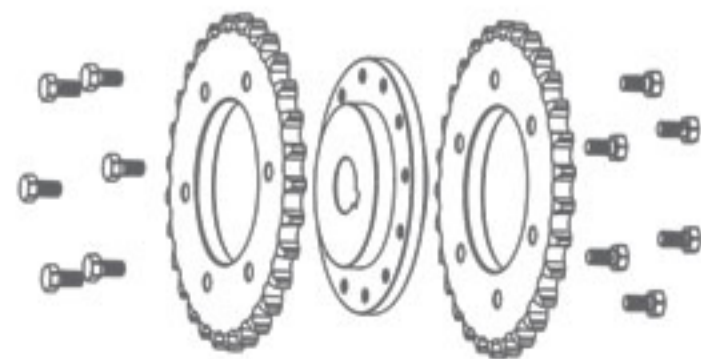
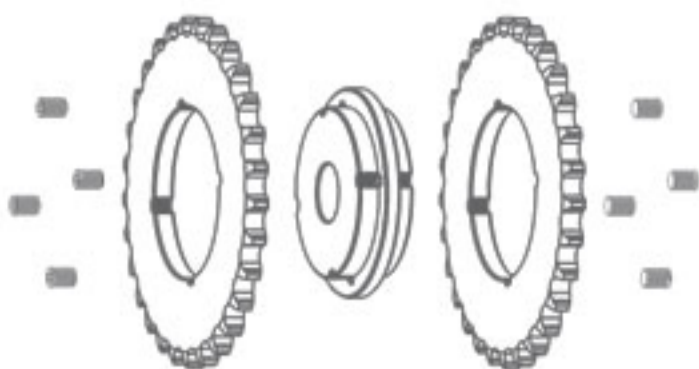


CMD Hubs are in stock with both pilot bores and finished bores.

SND Hubs are in stock only for finished bores.



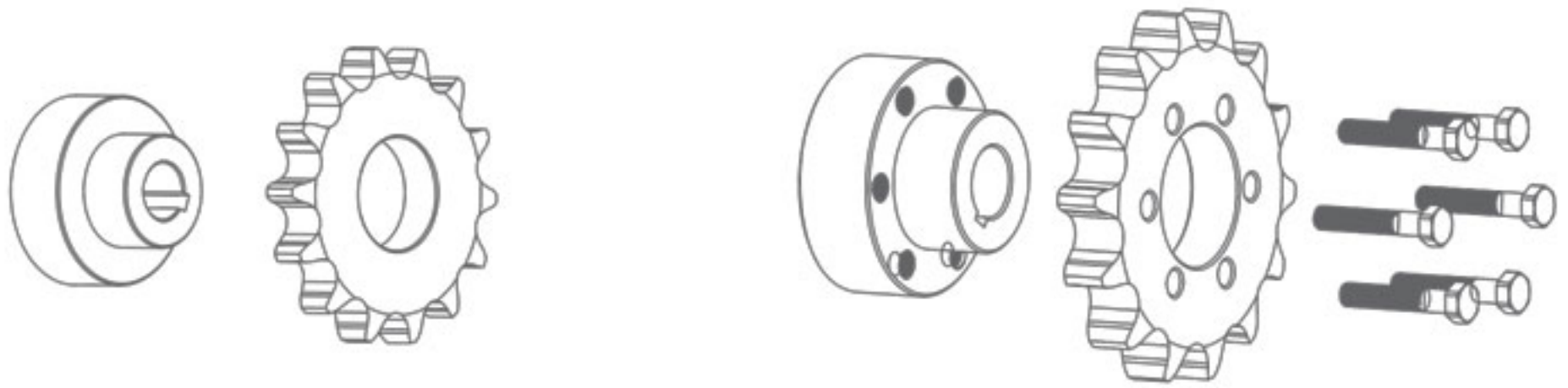
For CMD hubs, riveting is applied to form duplex sprockets. For SND hubs, bolting is used to form duplex sprockets.



Riveting with screws is suitable for smaller diameter combinatory sprockets.

Bolting is suitable for larger diameter combinatory sprockets.

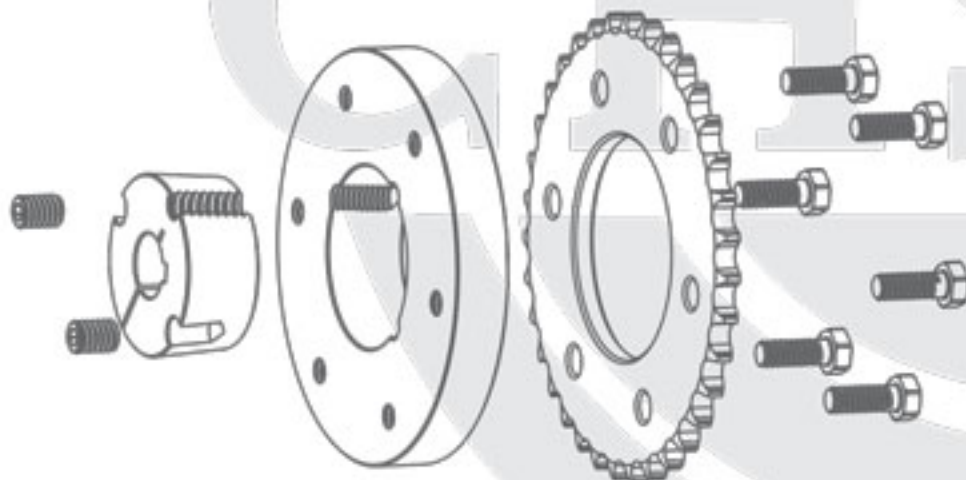
# Transferable Sprockets Weld-on Sprockets



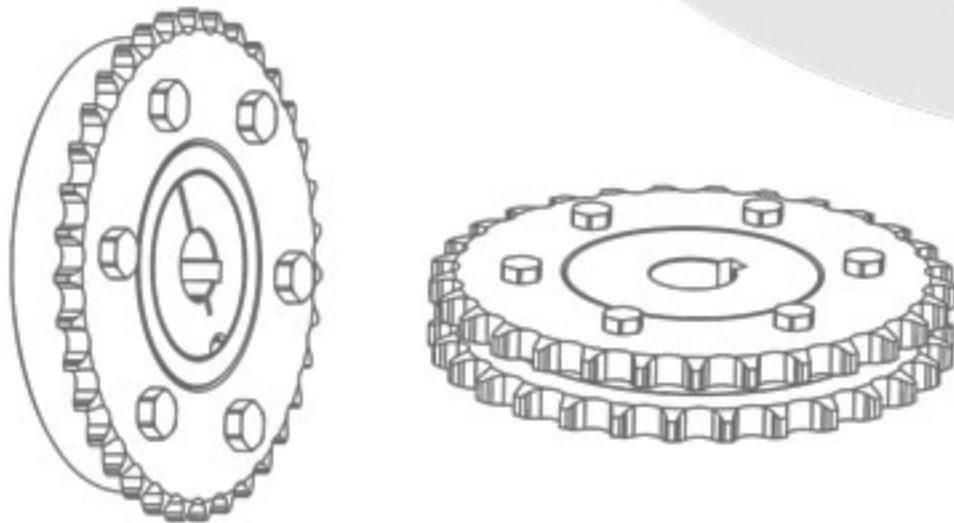
NSPT combinatory sprockets have adopted the newest modularization design and can be assembled by connecting the finished bore plate wheels and relevant hubs. Various types of sprockets such as DS (Double Single Sprockets) and duplex sprockets can be created fast and easily through simple combinations of different teeth numbers and diameters. The

advantages of economical and easy production, high quality and good reliability are widely appreciated. With very limited inventories, the customers' needs can be well fulfilled. It effectively reduces the processing time and costs and gives this new product more competitive advantages.

1. Taper Bore Combinatory Sprockets.



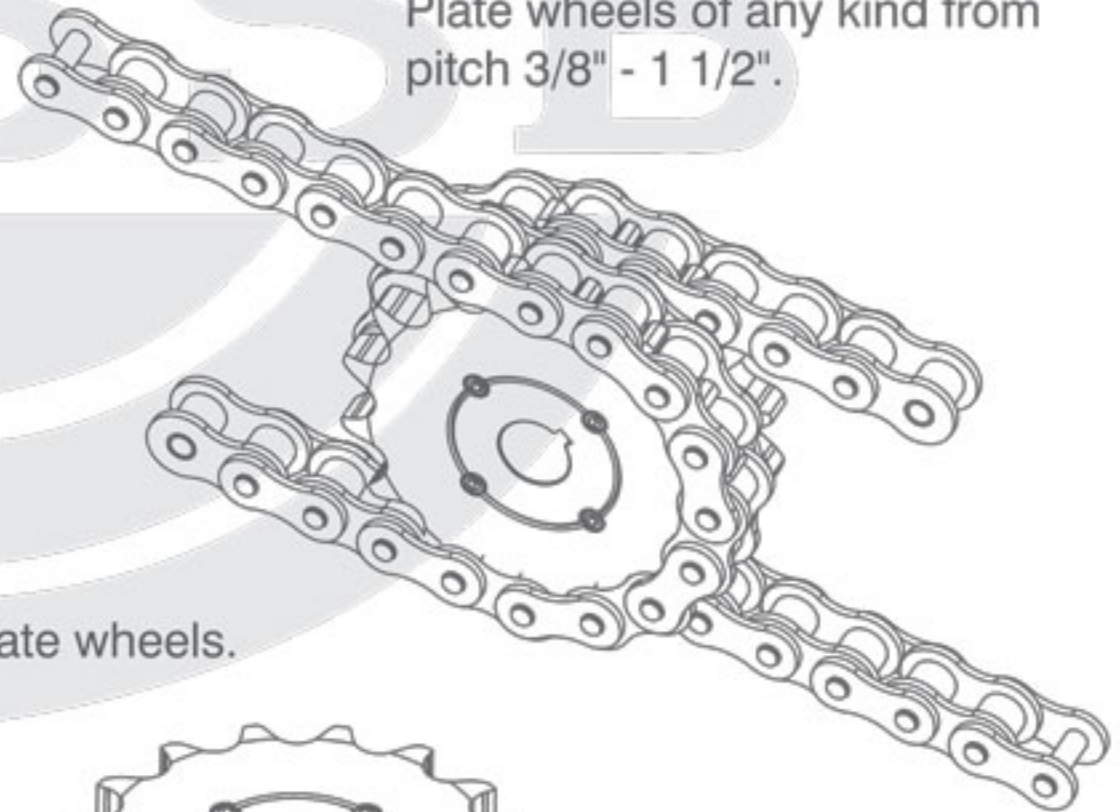
2. Standard Combinatory Sprockets.



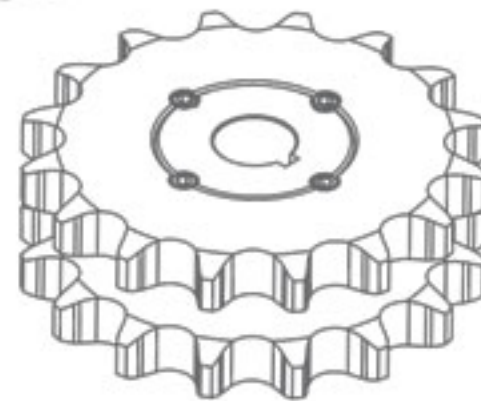
3. Taper Bore SW Hubs fit the whole series of NSPT Bushings well and can also be assembled into Taper Bore Sprockets.

4. CMD Hubs are suitable for Duplex Plate wheels. By combining plate wheels with different pitches, you can get duplex sprockets of all kinds.

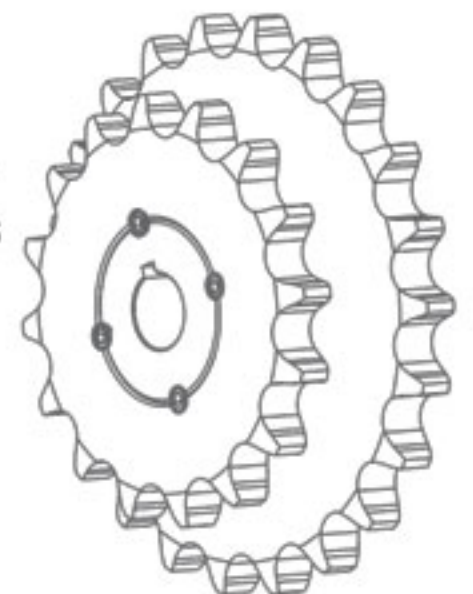
5. CMDS Hubs can be used to form Double - Single (DS) Plate wheels of any kind from pitch 3/8" - 1 1/2".



6. DS Plate wheels.



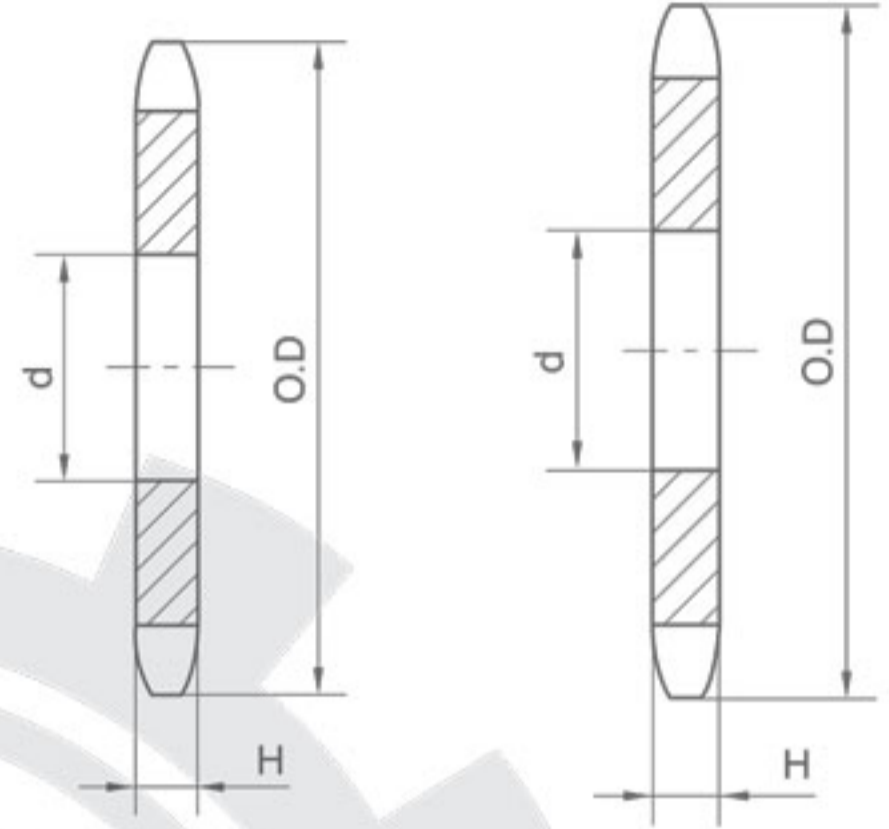
7. CMDS Hubs can be used with two-plate wheels with different numbers of teeth or different pitches to form double functional transmission sprockets in order to increase or reduce speed.



# Transferable Sprockets

## Weld-on Sprockets

**NEW**



Assembled sprockets and welded-on sprockets are designed for chains 06B-24B. Connecting plate wheels with different types of hubs can get all kinds of sprockets for different usages. For example, FB sprockets or TL sprockets can also be formed if you choose hubs with finished bores or TL bores. No further machining is required. It is easy on and easy off with reliable quality and very good interchangeability.

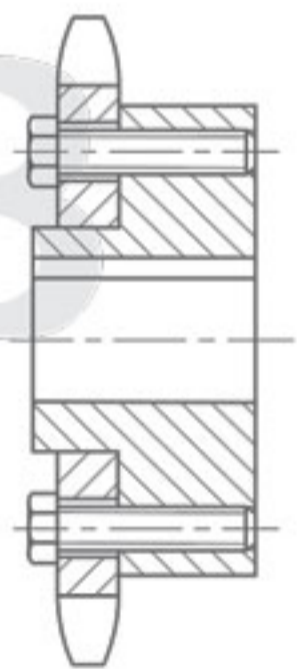
These sprockets designed by NSPT now have complete series with good applicability. They meet various design requirements for mechanical transmissions.



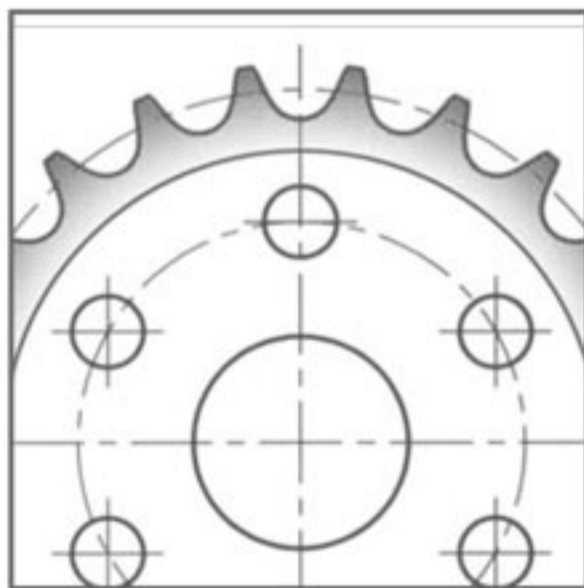
Connection by welding



Connection with bolts.

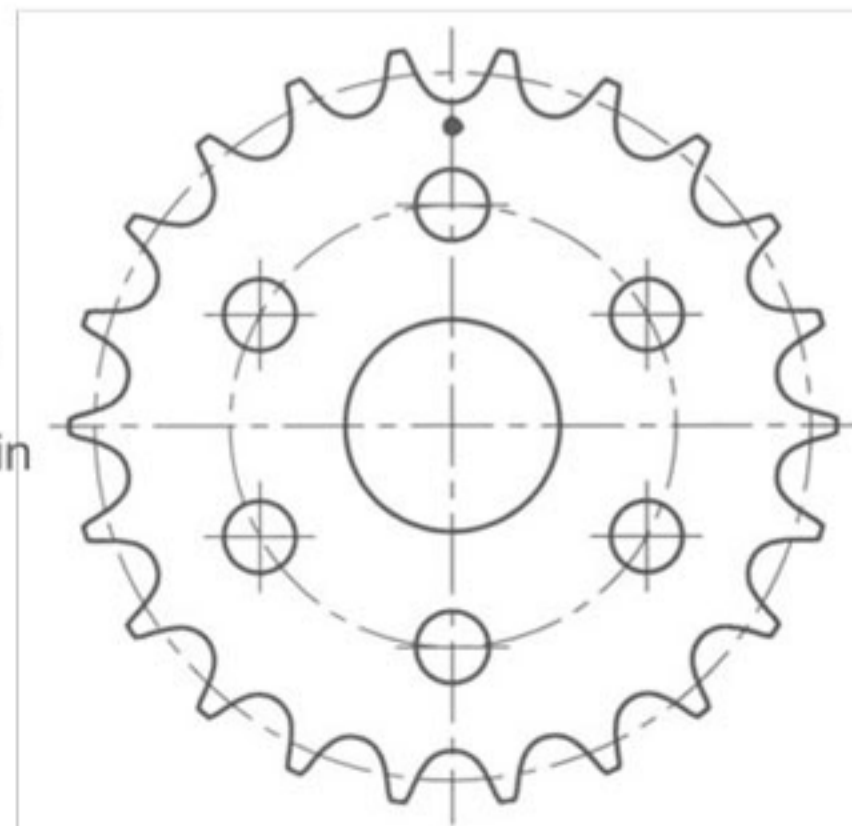


Connection by bolts fixed on the flange.



Sprockets within 40 teeth (O.D. within 12") are made of qualified steel S45C with teeth hardened to HRC 40-50.

Each sprocket has position marks that can be used for aligning the corresponding hole with the keyway. For duplex sprockets, make the teeth of each row aligned. By doing this, the installation errors can be eliminated.



# Transferable Sprockets

## Weld-on Sprockets

FOR ROLLER CHAINS ANSI B29.MI-1993

# 35

## 3/8"X7/32"

### PITCH-3/8"

### H=0.168"

| Z   | O.D   | P.D    | d     | B | M x n | Hub Style |         |        |                |    |
|-----|-------|--------|-------|---|-------|-----------|---------|--------|----------------|----|
|     |       |        |       |   |       | Bush      | CM/D,DS | CW     | SN             | SW |
| 20  | 2.59  | 2.397  | 1.575 |   |       |           | CM40    |        |                |    |
| 21  | 2.71  | 2.516  | 1.575 |   |       |           | CM40    |        |                |    |
| 22  | 2.83  | 2.635  | 1.575 |   |       | C1008     | CM40    | CW1008 |                |    |
| 23  | 2.95  | 2.745  | 1.575 |   |       | C1008     | CM40    | CW1008 |                |    |
| 24  | 3.07  | 2.912  | 1.967 |   |       | C1008     | CM50    | CW1008 |                |    |
| 25  | 3.19  | 2.992  | 1.967 |   |       | C1008     | CM50    | CW1008 |                |    |
| 26  | 3.31  | 3.111  | 2.362 |   |       | C1210     | CM60    | CW1210 |                |    |
| 27  | 3.43  | 3.230  | 2.362 |   |       | C1210     | CM60    | CW1210 |                |    |
| 28  | 3.55  | 3.349  | 2.756 |   |       | C1610     | CM70    | CW1610 |                |    |
| 29  | 3.67  | 3.468  | 2.756 |   |       | C1610     | CM70    | CW1610 |                |    |
| 30  | 3.79  | 3.587  | 2.756 |   |       | C1610     | CM70    | CW1610 |                |    |
| 31  | 3.91  | 3.707  | 2.756 |   |       | C1610     | CM70    | CW1610 |                |    |
| 32  | 4.03  | 3.826  | 2.756 |   |       | C1610     | CM70    | CW1610 |                |    |
| 33  | 4.15  | 3.945  | 2.756 |   |       | C1610     | CM70    | CW1610 |                |    |
| 34  | 4.27  | 4.046  | 2.756 |   |       | C1610     | CM70    | CW1610 |                |    |
| 35  | 4.39  | 4.183  | 2.756 |   |       | C1610     | CM70    | CW1610 |                |    |
| 36  | 4.51  | 4.303  | 2.756 |   |       | C1610     | CM70    | CW1610 |                |    |
| 37  | 4.63  | 4.422  | 2.756 |   |       | C1610     | CM70    | CW1610 |                |    |
| 38  | 4.75  | 4.541  | 2.756 |   |       | C1610     | CM70    | CW1610 |                |    |
| 39  | 4.87  | 4.660  | 2.756 |   |       | C1610     | CM70    | CW1610 |                |    |
| 40  | 4.99  | 4.780  | 2.756 |   |       | C1610     | CM70    | CW1610 |                |    |
| 41  | 5.11  | 4.899  | 2.756 |   |       | C1610     | CM70    | CW1610 |                |    |
| 42  | 5.23  | 5.018  | 2.756 |   |       | C1610     | CM70    | CW1610 |                |    |
| 43  | 5.36  | 5.137  | 2.756 |   |       | C1610     | CM70    | CW1610 |                |    |
| 44  | 5.47  | 5.257  | 2.756 |   |       | C1610     | CM70    | CW1610 |                |    |
| 45  | 5.59  | 5.376  | 2.756 |   |       | C1610     | CM70    | CW1610 |                |    |
| 46  | 5.71  | 5.495  | 2.756 | 4 | 3/8X4 | C1610     | CM70    | CW1610 | SN70<br>SW1610 |    |
| 47  | 5.83  | 5.615  | 2.756 | 4 | 3/8X4 | C1610     | CM70    | CW1610 | SN70<br>SW1610 |    |
| 48  | 5.95  | 5.734  | 2.756 | 4 | 3/8X4 | C1610     | CM70    | CW1610 | SN70<br>SW1610 |    |
| 49  | 6.07  | 5.853  | 2.756 | 4 | 3/8X4 | C1610     | CM70    | CW1610 | SN70<br>SW1610 |    |
| 50  | 6.19  | 5.972  | 2.756 | 4 | 3/8X4 | C1610     | CM70    | CW1610 | SN70<br>SW1610 |    |
| 51  | 6.31  | 6.091  | 2.756 | 4 | 3/8X4 | C1610     | CM70    | CW1610 | SN70<br>SW1610 |    |
| 52  | 6.43  | 6.211  | 2.756 | 4 | 3/8X4 | C1610     | CM70    | CW1610 | SN70<br>SW1610 |    |
| 53  | 6.55  | 6.330  | 2.756 | 4 | 3/8X4 | C1610     | CM70    | CW1610 | SN70<br>SW1610 |    |
| 54  | 6.66  | 6.450  | 2.756 | 4 | 3/8X4 | C1610     | CM70    | CW1610 | SN70<br>SW1610 |    |
| 55  | 6.78  | 6.569  | 2.756 | 4 | 3/8X4 | C1610     | CM70    | CW1610 | SN70<br>SW1610 |    |
| 56  | 6.90  | 6.688  | 2.756 | 4 | 3/8X4 | C1610     | CM70    | CW1610 | SN70<br>SW1610 |    |
| 57  | 7.02  | 6.807  | 2.756 | 4 | 3/8X4 | C1610     | CM70    | CW1610 | SN70<br>SW1610 |    |
| 58  | 7.14  | 6.926  | 2.756 | 4 | 3/8X4 | C1610     | CM70    | CW1610 | SN70<br>SW1610 |    |
| 59  | 7.26  | 7.046  | 2.756 | 4 | 3/8X4 | C1610     | CM70    | CW1610 | SN70<br>SW1610 |    |
| 60  | 7.38  | 7.165  | 2.756 | 4 | 3/8X4 | C1610     | CM70    | CW1610 | SN70<br>SW1610 |    |
| 70  | 8.58  | 8.398  | 2.756 | 4 | 3/8X4 | C1610     | CM70    | CW1610 | SN70<br>SW1610 |    |
| 72  | 8.81  | 8.595  | 2.756 | 4 | 3/8X4 | C1610     | CM70    | CW1610 | SN70<br>SW1610 |    |
| 80  | 9.77  | 9.552  | 2.756 | 4 | 3/8X4 | C1610     | CM70    | CW1610 | SN70<br>SW1610 |    |
| 84  | 10.25 | 10.023 | 2.756 | 4 | 3/8X4 | C1610     | CM70    | CW1610 | SN70<br>SW1610 |    |
| 96  | 11.68 | 11.222 | 2.756 | 4 | 3/8X4 | C1610     | CM70    | CW1610 | SN70<br>SW1610 |    |
| 112 | 13.59 | 13.370 | 2.756 | 4 | 3/8X4 | C1610     | CM70    | CW1610 | SN70<br>SW1610 |    |

# Transferable Sprockets

## Weld-on Sprockets

FOR ROLLER CHAINS ANSI B29. MI-1993

# 40

## 1/2"X5/16"

### PITCH-1/2"

### H=0.227"

| Z   | O.D   | P.D    | d     | B    | Mxn    | Hub Style |         |        |       |        |
|-----|-------|--------|-------|------|--------|-----------|---------|--------|-------|--------|
|     |       |        |       |      |        | Bush      | CM/D,DS | CW     | SN    | SW     |
| 15  | 2.65  | 2.405  | 1.575 |      |        |           | CM40    |        |       |        |
| 16  | 2.81  | 2.563  | 1.575 |      |        |           | CM40    |        |       |        |
| 17  | 2.98  | 2.721  | 1.575 |      |        |           | CM40    |        |       |        |
| 18  | 3.14  | 2.880  | 1.967 |      |        | C1008     | CM50    | CW1008 |       |        |
| 19  | 3.30  | 3.038  | 1.967 |      |        | C1008     | CM50    | CW1008 |       |        |
| 20  | 3.46  | 3.185  | 2.362 |      |        | C1210     | CM60    | CW1210 |       |        |
| 21  | 3.62  | 3.343  | 2.362 |      |        | C1210     | CM60    | CW1210 |       |        |
| 22  | 3.78  | 3.513  | 2.756 |      |        | C1610     | CM70    | CW1610 |       |        |
| 23  | 3.94  | 3.672  | 2.756 |      |        | C1610     | CM70    | CW1610 |       |        |
| 24  | 4.10  | 3.830  | 2.756 |      |        | C1610     | CM70    | CW1610 |       |        |
| 25  | 4.26  | 3.989  | 2.756 |      |        | C1610     | CM70    | CW1610 |       |        |
| 26  | 4.42  | 4.148  | 2.756 |      |        | C1610     | CM70    | CW1610 |       |        |
| 27  | 4.58  | 4.307  | 2.756 |      |        | C1610     | CM70    | CW1610 |       |        |
| 28  | 4.74  | 4.465  | 2.756 |      |        | C1610     | CM70    | CW1610 |       |        |
| 29  | 4.90  | 4.625  | 2.756 |      |        | C1610     | CM70    | CW1610 |       |        |
| 30  | 5.06  | 4.783  | 2.756 |      |        | C1610     | CM70    | CW1610 |       |        |
| 31  | 5.22  | 4.943  | 2.756 |      |        | C1610     | CM70    | CW1610 |       |        |
| 32  | 5.38  | 5.101  | 2.756 |      |        | C1610     | CM70    | CW1610 |       |        |
| 33  | 5.54  | 5.260  | 2.756 |      |        | C1610     | CM70    | CW1610 |       |        |
| 34  | 5.70  | 5.419  | 2.756 |      |        | C1610     | CM70    | CW1610 |       |        |
| 35  | 5.86  | 5.578  | 2.756 | 4'   | 3/8X4  | C1610     | CM70    | CW1610 | SN70  | SW1610 |
| 36  | 6.02  | 5.737  | 2.756 | 4'   | 3/8X4  | C1610     | CM70    | CW1610 | SN70  | SW1610 |
| 37  | 6.18  | 5.896  | 2.756 | 4'   | 3/8X4  | C1610     | CM70    | CW1610 | SN70  | SW1610 |
| 38  | 6.33  | 6.055  | 2.756 | 4'   | 3/8X4  | C1610     | CM70    | CW1610 | SN70  | SW1610 |
| 39  | 6.49  | 6.214  | 2.756 | 4'   | 3/8X4  | C1610     | CM70    | CW1610 | SN70  | SW1610 |
| 40  | 6.65  | 6.373  | 2.756 | 4'   | 3/8X4  | C1610     | CM70    | CW1610 | SN70  | SW1610 |
| 41  | 6.81  | 6.532  | 2.756 | 4'   | 3/8X4  | C1610     | CM70    | CW1610 | SN70  | SW1610 |
| 42  | 6.97  | 6.691  | 2.756 | 4'   | 3/8X4  | C1610     | CM70    | CW1610 | SN70  | SW1610 |
| 43  | 7.13  | 6.850  | 2.756 | 4'   | 3/8X4  | C1610     | CM70    | CW1610 | SN70  | SW1610 |
| 44  | 7.29  | 7.009  | 2.756 | 4'   | 3/8X4  | C1610     | CM70    | CW1610 | SN70  | SW1610 |
| 45  | 7.45  | 7.168  | 2.756 | 4'   | 3/8X4  | C1610     | CM70    | CW1610 | SN70  | SW1610 |
| 46  | 7.61  | 7.327  | 2.756 | 4'   | 3/8X4  | C1610     | CM70    | CW1610 | SN70  | SW1610 |
| 47  | 7.77  | 7.486  | 2.756 | 4'   | 3/8X4  | C1610     | CM70    | CW1610 | SN70  | SW1610 |
| 48  | 7.93  | 7.654  | 2.756 | 4'   | 3/8X4  | C1610     | CM70    | CW1610 | SN70  | SW1610 |
| 49  | 8.09  | 7.804  | 2.756 | 4'   | 3/8X4  | C1610     | CM70    | CW1610 | SN70  | SW1610 |
| 50  | 8.25  | 7.963  | 2.756 | 4'   | 3/8X4  | C1610     | CM70    | CW1610 | SN70  | SW1610 |
| 51  | 8.41  | 8.122  | 2.756 | 4'   | 3/8X4  | C1610     | CM70    | CW1610 | SN70  | SW1610 |
| 52  | 8.57  | 8.281  | 2.756 | 4'   | 3/8X4  | C1610     | CM70    | CW1610 | SN70  | SW1610 |
| 53  | 8.73  | 8.440  | 2.756 | 4'   | 3/8X4  | C1610     | CM70    | CW1610 | SN70  | SW1610 |
| 54  | 8.89  | 8.600  | 2.756 | 4'   | 3/8X4  | C1610     | CM70    | CW1610 | SN70  | SW1610 |
| 55  | 9.04  | 8.758  | 2.756 | 4'   | 3/8X4  | C1610     | CM70    | CW1610 | SN70  | SW1610 |
| 56  | 9.20  | 8.917  | 2.756 | 4'   | 3/8X4  | C1610     | CM70    | CW1610 | SN70  | SW1610 |
| 57  | 9.36  | 9.076  | 2.756 | 4'   | 3/8X4  | C1610     | CM70    | CW1610 | SN70  | SW1610 |
| 58  | 9.52  | 9.235  | 2.756 | 4'   | 3/8X4  | C1610     | CM70    | CW1610 | SN70  | SW1610 |
| 59  | 9.68  | 9.394  | 2.756 | 4'   | 3/8X4  | C1610     | CM70    | CW1610 | SN70  | SW1610 |
| 60  | 9.84  | 9.554  | 2.756 | 4'   | 3/8X4  | C1610     | CM70    | CW1610 | SN70  | SW1610 |
| 70  | 11.43 | 11.144 | 39/16 | 43/4 | 7/16X4 | C2012     | CM90    | CW2012 | SN90  | SW2012 |
| 72  | 11.75 | 11.463 | 39/16 | 43/4 | 7/16X4 | C2012     | CM90    | CW2012 | SN90  | SW2012 |
| 80  | 13.03 | 12.735 | 39/16 | 43/4 | 7/16X4 | C2012     | CM90    | CW2012 | SN90  | SW2012 |
| 84  | 13.66 | 13.372 | 39/16 | 43/4 | 7/16X4 | C2012     | CM90    | CW2012 | SN90  | SW2012 |
| 96  | 15.57 | 15.281 | 39/16 | 43/4 | 7/16X4 | C2012     | CM90    | CW2012 | SN90  | SW2012 |
| 112 | 18.12 | 17.796 | 45/16 | 53/4 | 7/16X6 | C2517     | CM110   | CW2517 | SN110 | SW2517 |

# Transferable Sprockets

## Weld-on Sprockets

FOR ROLLER CHAINS ANSI B29.MI-1993

# 50

## 5/8"X3/8"

### PITCH-5/8"

### H=0.343"

| Z   | O.D   | P.D    | d     | B    | Mxn    | Hub Style |         |        |       |        |
|-----|-------|--------|-------|------|--------|-----------|---------|--------|-------|--------|
|     |       |        |       |      |        | Bush      | CM/D,DS | CW     | SN/D  | SW     |
| 13  | 2.91  | 2.611  | 1.575 |      |        |           | CM40    |        |       |        |
| 14  | 3.11  | 2.809  | 1.575 |      |        |           | CM40    |        |       |        |
| 15  | 3.32  | 3.006  | 1.967 |      |        | C1008     | CM50    | CW1008 |       |        |
| 16  | 3.52  | 3.204  | 1.967 |      |        | C1008     | CM50    | CW1008 |       |        |
| 17  | 3.72  | 3.401  | 2.362 |      |        | C1210     | CM60    | CW1210 |       |        |
| 18  | 3.92  | 3.599  | 2.362 |      |        | C1210     | CM60    | CW1210 |       |        |
| 19  | 4.12  | 3.797  | 2.756 |      |        | C1610     | CM70    | CW1610 |       |        |
| 20  | 4.32  | 3.996  | 2.756 |      |        | C1610     | CM70    | CW1610 |       |        |
| 21  | 4.52  | 4.194  | 2.756 |      |        | C1610     | CM70    | CW1610 |       |        |
| 22  | 4.72  | 4.392  | 2.756 |      |        | C1610     | CM70    | CW1610 |       |        |
| 23  | 4.92  | 4.590  | 3.543 |      |        | C2012     | CM90    | CW2012 |       |        |
| 24  | 5.12  | 4.788  | 3.543 |      |        | C2012     | CM90    | CW2012 |       |        |
| 25  | 5.32  | 4.947  | 3.543 |      |        | C2012     | CM90    | CW2012 |       |        |
| 26  | 5.52  | 5.185  | 3.543 |      |        | C2012     | CM90    | CW2012 |       |        |
| 27  | 5.72  | 5.384  | 3.543 |      |        | C2012     | CM90    | CW2012 |       |        |
| 28  | 5.92  | 5.581  | 3.543 |      |        | C2012     | CM90    | CW2012 |       |        |
| 29  | 6.12  | 5.781  | 3.543 |      |        | C2012     | CM90    | CW2012 |       |        |
| 30  | 6.32  | 5.979  | 3.543 |      |        | C2012     | CM90    | CW2012 |       |        |
| 31  | 6.52  | 6.178  | 3.543 | 43/4 | 7/16X6 | C2012     | CM90    | CW2012 | SN90  | SW2012 |
| 32  | 6.72  | 6.376  | 3.543 | 43/4 | 7/16X6 | C2012     | CM90    | CW2012 | SN90  | SW2012 |
| 33  | 6.92  | 6.575  | 3.543 | 43/4 | 7/16X6 | C2012     | CM90    | CW2012 | SN90  | SW2012 |
| 34  | 7.12  | 6.774  | 3.543 | 43/4 | 7/16X6 | C2012     | CM90    | CW2012 | SN90  | SW2012 |
| 35  | 7.32  | 6.972  | 3.543 | 43/4 | 7/16X6 | C2012     | CM90    | CW2012 | SN90  | SW2012 |
| 36  | 7.52  | 7.171  | 3.543 | 43/4 | 7/16X6 | C2012     | CM90    | CW2012 | SN90  | SW2012 |
| 37  | 7.72  | 7.370  | 3.543 | 43/4 | 7/16X6 | C2012     | CM90    | CW2012 | SN90  | SW2012 |
| 38  | 7.92  | 7.569  | 3.543 | 43/4 | 7/16X6 | C2012     | CM90    | CW2012 | SN90  | SW2012 |
| 39  | 8.12  | 7.767  | 3.543 | 43/4 | 7/16X6 | C2012     | CM90    | CW2012 | SN90  | SW2012 |
| 40  | 8.32  | 7.966  | 3.543 | 43/4 | 7/16X6 | C2012     | CM90    | CW2012 | SN90  | SW2012 |
| 41  | 8.52  | 8.165  | 3.543 | 43/4 | 7/16X6 | C2012     | CM90    | CW2012 | SN90  | SW2012 |
| 42  | 8.72  | 8.364  | 3.543 | 43/4 | 7/16X6 | C2012     | CM90    | CW2012 | SN90  | SW2012 |
| 43  | 8.91  | 8.563  | 3.543 | 43/4 | 7/16X6 | C2012     | CM90    | CW2012 | SN90  | SW2012 |
| 44  | 9.11  | 8.761  | 3.543 | 43/4 | 7/16X6 | C2012     | CM90    | CW2012 | SN90  | SW2012 |
| 45  | 9.31  | 8.960  | 3.543 | 43/4 | 7/16X6 | C2012     | CM90    | CW2012 | SN90  | SW2012 |
| 46  | 9.51  | 9.159  | 3.543 | 43/4 | 7/16X6 | C2012     | CM90    | CW2012 | SN90  | SW2012 |
| 47  | 9.71  | 9.357  | 3.543 | 43/4 | 7/16X6 | C2012     | CM90    | CW2012 | SN90  | SW2012 |
| 48  | 9.91  | 9.556  | 3.543 | 43/4 | 7/16X6 | C2012     | CM90    | CW2012 | SN90  | SW2012 |
| 49  | 10.11 | 9.755  | 3.543 | 43/4 | 7/16X6 | C2012     | CM90    | CW2012 | SN90  | SW2012 |
| 50  | 10.31 | 9.954  | 3.543 | 43/4 | 7/16X6 | C2012     | CM90    | CW2012 | SN90  | SW2012 |
| 51  | 10.51 | 10.152 | 3.543 | 43/4 | 7/16X6 | C2012     | CM90    | CW2012 | SN90  | SW2012 |
| 52  | 10.71 | 10.352 | 3.543 | 43/4 | 7/16X6 | C2012     | CM90    | CW2012 | SN90  | SW2012 |
| 53  | 10.91 | 10.550 | 3.543 | 43/4 | 7/16X6 | C2012     | CM90    | CW2012 | SN90  | SW2012 |
| 54  | 11.11 | 10.749 | 3.543 | 43/4 | 7/16X6 | C2012     | CM90    | CW2012 | SN90  | SW2012 |
| 55  | 11.31 | 10.948 | 3.543 | 43/4 | 7/16X6 | C2012     | CM90    | CW2012 | SN90  | SW2012 |
| 56  | 11.50 | 11.147 | 3.543 | 43/4 | 7/16X6 | C2012     | CM90    | CW2012 | SN90  | SW2012 |
| 57  | 11.70 | 11.346 | 3.543 | 43/4 | 7/16X6 | C2012     | CM90    | CW2012 | SN90  | SW2012 |
| 58  | 11.90 | 11.544 | 3.543 | 43/4 | 7/16X6 | C2012     | CM90    | CW2012 | SN90  | SW2012 |
| 59  | 12.10 | 11.743 | 3.543 | 43/4 | 7/16X6 | C2012     | CM90    | CW2012 | SN90  | SW2012 |
| 60  | 12.30 | 11.942 | 3.543 | 43/4 | 7/16X6 | C2012     | CM90    | CW2012 | SN90  | SW2012 |
| 70  | 14.29 | 13.931 | 4.331 | 43/4 | 7/16X6 | C2517     | CM110   | CW2517 | SN110 | SW2517 |
| 72  | 14.69 | 14.329 | 4.331 | 53/4 | 7/16X6 | C2517     | CM110   | CW2517 | SN110 | SW2517 |
| 80  | 16.28 | 15.919 | 4.331 | 53/4 | 7/16X6 | C2517     | CM110   | CW2517 | SN110 | SW2517 |
| 84  | 17.08 | 16.716 | 4.331 | 53/4 | 7/16X6 | C2517     | CM110   | CW2517 | SN110 | SW2517 |
| 96  | 19.47 | 19.102 | 4.331 | 53/4 | 7/16X6 | C2517     | CM110   | CW2517 | SN110 | SW2517 |
| 112 | 22.65 | 22.285 | 4.331 | 53/4 | 7/16X6 | C2517     | CM110   | CW2517 | SN110 | SW2517 |



# Transferable Sprockets

## Weld-on Sprockets

FOR ROLLER CHAINS ANSI B29.MI-1993

# 60

## 3/4"X1/2"

### PITCH-3/4"

### H=0.459"

| Z  | O.D   | P.D    | d     | B    | Mxn    | Hub Style |         |        |       |        |
|----|-------|--------|-------|------|--------|-----------|---------|--------|-------|--------|
|    |       |        |       |      |        | Bush      | CM/D,DS | CW     | SN/D  | SW     |
| 11 | 3.00  | 2.662  | 1.575 |      |        |           | CM40    |        |       |        |
| 12 | 3.25  | 2.894  | 1.575 |      |        |           | CM40    |        |       |        |
| 13 | 3.49  | 3.133  | 1.967 |      |        | C1008     | CM50    | CW1008 |       |        |
| 14 | 3.74  | 3.370  | 2.362 |      |        | C1210     | CM60    | CW1210 |       |        |
| 15 | 3.98  | 3.607  | 2.756 |      |        | C1610     | CM70    | CW1610 |       |        |
| 16 | 4.22  | 3.844  | 2.756 |      |        | C1610     | CM70    | CW1610 |       |        |
| 17 | 4.46  | 4.081  | 2.756 |      |        | C1610     | CM70    | CW1610 |       |        |
| 18 | 4.70  | 4.319  | 2.756 |      |        | C1610     | CM70    | CW1610 |       |        |
| 19 | 4.95  | 4.557  | 2.756 |      |        | C1610     | CM70    | CW1610 |       |        |
| 20 | 5.19  | 4.794  | 3.543 |      |        | C2012     | CM90    | CW2012 |       |        |
| 21 | 5.43  | 5.032  | 3.543 |      |        | C2012     | CM90    | CW2012 |       |        |
| 22 | 5.67  | 5.270  | 3.543 |      |        | C2012     | CM90    | CW2012 |       |        |
| 23 | 5.91  | 5.508  | 3.543 |      |        | C2012     | CM90    | CW2012 |       |        |
| 24 | 6.15  | 5.246  | 3.543 |      |        | C2012     | CM90    | CW2012 |       |        |
| 25 | 6.39  | 5.984  | 3.543 |      |        | C2012     | CM90    | CW2012 |       |        |
| 26 | 6.63  | 6.222  | 3.543 |      |        | C2012     | CM90    | CW2012 |       |        |
| 27 | 6.87  | 6.460  | 3.543 | 43/4 | 7/16X6 | C2012     | CM90    | CW2012 | SN90  | SW2012 |
| 28 | 7.11  | 6.698  | 3.543 | 43/4 | 7/16X6 | C2012     | CM90    | CW2012 | SN90  | SW2012 |
| 29 | 7.35  | 6.937  | 3.543 | 43/4 | 7/16X6 | C2012     | CM90    | CW2012 | SN90  | SW2012 |
| 30 | 7.59  | 7.175  | 3.543 | 43/4 | 7/16X6 | C2012     | CM90    | CW2012 | SN90  | SW2012 |
| 31 | 7.83  | 7.414  | 3.543 | 43/4 | 7/16X6 | C2012     | CM90    | CW2012 | SN90  | SW2012 |
| 32 | 8.07  | 7.652  | 3.543 | 43/4 | 7/16X6 | C2012     | CM90    | CW2012 | SN90  | SW2012 |
| 33 | 8.30  | 7.890  | 3.543 | 43/4 | 7/16X6 | C2012     | CM90    | CW2012 | SN90  | SW2012 |
| 34 | 8.54  | 8.128  | 3.543 | 43/4 | 7/16X6 | C2012     | CM90    | CW2012 | SN90  | SW2012 |
| 35 | 8.78  | 8.367  | 3.543 | 43/4 | 7/16X6 | C2012     | CM90    | CW2012 | SN90  | SW2012 |
| 36 | 9.02  | 8.606  | 3.543 | 43/4 | 7/16X6 | C2012     | CM90    | CW2012 | SN90  | SW2012 |
| 37 | 9.26  | 8.844  | 3.543 | 43/4 | 7/16X6 | C2012     | CM90    | CW2012 | SN90  | SW2012 |
| 38 | 9.50  | 9.082  | 3.543 | 43/4 | 7/16X6 | C2012     | CM90    | CW2012 | SN90  | SW2012 |
| 39 | 9.74  | 9.321  | 3.543 | 43/4 | 7/16X6 | C2012     | CM90    | CW2012 | SN90  | SW2012 |
| 40 | 9.98  | 9.559  | 3.543 | 43/4 | 7/16X6 | C2012     | CM90    | CW2012 | SN90  | SW2012 |
| 41 | 10.22 | 9.789  | 3.543 | 43/4 | 7/16X6 | C2012     | CM90    | CW2012 | SN90  | SW2012 |
| 42 | 10.46 | 10.037 | 3.543 | 43/4 | 7/16X6 | C2012     | CM90    | CW2012 | SN90  | SW2012 |
| 43 | 10.70 | 10.275 | 3.543 | 43/4 | 7/16X6 | C2012     | CM90    | CW2012 | SN90  | SW2012 |
| 44 | 10.94 | 10.513 | 3.543 | 43/4 | 7/16X6 | C2012     | CM90    | CW2012 | SN90  | SW2012 |
| 45 | 11.18 | 10.752 | 3.543 | 43/4 | 7/16X6 | C2012     | CM90    | CW2012 | SN90  | SW2012 |
| 46 | 11.42 | 10.991 | 3.543 | 43/4 | 7/16X6 | 2012      | CM90    | CW2012 | SN90  | SW2012 |
| 47 | 11.65 | 11.229 | 3.543 | 43/4 | 7/16X6 | 2012      | CM90    | CW2012 | SN90  | SW2012 |
| 48 | 11.89 | 11.467 | 3.543 | 43/4 | 7/16X6 | C2012     | CM90    | CW2012 | SN90  | SW2012 |
| 49 | 12.13 | 11.706 | 4.331 | 53/4 | 7/16X6 | C2517     | CM110   | CW2517 | SN110 | SW2517 |
| 50 | 12.37 | 11.944 | 4.331 | 53/4 | 7/16X6 | C2517     | CM110   | CW2517 | SN110 | SW2517 |
| 51 | 12.61 | 12.183 | 4.331 | 53/4 | 7/16X6 | C2517     | CM110   | CW2517 | SN110 | SW2517 |
| 52 | 12.85 | 12.421 | 4.331 | 53/4 | 7/16X6 | C2517     | CM110   | CW2517 | SN110 | SW2517 |
| 53 | 13.09 | 12.660 | 4.331 | 53/4 | 7/16X6 | C2517     | CM110   | CW2517 | SN110 | SW2517 |
| 54 | 13.33 | 12.899 | 4.331 | 53/4 | 7/16X6 | C2517     | CM110   | CW2517 | SN110 | SW2517 |
| 55 | 13.57 | 13.138 | 4.331 | 53/4 | 7/16X6 | C2517     | CM110   | CW2517 | SN110 | SW2517 |
| 56 | 13.81 | 13.376 | 4.331 | 53/4 | 7/16X6 | C2517     | CM110   | CW2517 | SN110 | SW2517 |
| 57 | 14.04 | 13.615 | 4.331 | 53/4 | 7/16X6 | C2517     | CM110   | CW2517 | SN110 | SW2517 |
| 58 | 14.28 | 13.853 | 4.331 | 53/4 | 7/16X6 | C2517     | CM110   | CW2517 | SN110 | SW2517 |
| 59 | 14.52 | 14.092 | 4.331 | 53/4 | 7/16X6 | C2517     | CM110   | CW2517 | SN110 | SW2517 |
| 60 | 14.76 | 14.330 | 4.331 | 53/4 | 7/16X6 | C2517     | CM110   | CW2517 | SN110 | SW2517 |
| 70 | 17.15 | 16.717 | 4.331 | 53/4 | 7/16X6 | C2517     | CM110   | CW2517 | SN110 | SW2517 |
| 72 | 17.63 | 17.194 | 4.331 | 53/4 | 7/16X8 | C2517     | CM110   | CW2517 | SN110 | SW2517 |
| 80 | 19.54 | 19.103 | 4.331 | 53/4 | 7/16X8 | C2517     | CM110   | CW2517 | SN110 | SW2517 |
| 84 | 20.94 | 20.295 | 4.331 | 53/4 | 7/16X8 | C2517     | CM110   | CW2517 | SN110 | SW2517 |

# Transferable Sprockets

## Weld-on Sprockets

FOR ROLLER CHAINS ANSI B29.MI-1993

# 80

## 1"X5/8"

### PITCH-1"

### H=0.575"

| Z  | O.D   | P.D    | d     | B   | Mxn    | Hub Style |         |        |       |        |
|----|-------|--------|-------|-----|--------|-----------|---------|--------|-------|--------|
|    |       |        |       |     |        | Bush      | CM/D,DS | CW     | SN/D  | SW     |
| 11 | 4.01  | 3.549  | 2.362 |     |        | C1215     | CM60    | CW1215 |       |        |
| 12 | 4.33  | 3.864  | 2.756 |     |        | C1615     | CM70    | CW1615 |       |        |
| 13 | 4.66  | 4.178  | 2.756 |     |        | C1615     | CM70    | CW1615 |       |        |
| 14 | 4.98  | 4.494  | 2.756 |     |        | C1615     | CM70    | CW1615 |       |        |
| 15 | 5.30  | 4.810  | 2.756 |     |        | C1615     | CM70    | CW1615 |       |        |
| 16 | 5.63  | 5.126  | 3.543 |     |        | C2012     | CM90    | CW2012 |       |        |
| 17 | 5.95  | 5.442  | 3.543 |     |        | C2012     | CM90    | CW2012 |       |        |
| 18 | 6.27  | 5.759  | 3.543 |     |        | C2012     | CM90    | CW2012 |       |        |
| 19 | 6.59  | 6.076  | 3.543 |     |        | C2012     | CM90    | CW2012 |       |        |
| 20 | 6.91  | 6.393  | 4.331 |     |        | C2517     | CM110   | CS2517 |       |        |
| 21 | 7.24  | 6.710  | 4.331 |     |        | C2517     | CM110   | CW2517 |       |        |
| 22 | 7.56  | 7.027  | 4.331 |     |        | C2517     | CM110   | CW2517 |       |        |
| 23 | 7.88  | 7.344  | 4.331 |     |        | C2517     | CM110   | CW2517 |       |        |
| 24 | 8.20  | 7.661  | 4.331 |     |        | C2517     | CM110   | CW2517 |       |        |
| 25 | 8.52  | 7.979  | 4.331 |     |        | C2517     | CM110   | CW2517 |       |        |
| 26 | 8.84  | 8.296  | 4.331 | 5/8 | 7/16X6 | C2517     | CM110   | CW2517 | SN110 | SW2517 |
| 27 | 9.16  | 8.594  | 4.331 | 5/8 | 7/16X6 | C2517     | CM110   | CW2517 | SN110 | SW2517 |
| 28 | 9.48  | 8.931  | 4.331 | 5/8 | 7/16X6 | C2517     | CM110   | CW2517 | SN110 | SW2517 |
| 29 | 9.80  | 9.249  | 4.331 | 5/8 | 7/16X6 | C2517     | CM110   | CW2517 | SN110 | SW2517 |
| 30 | 10.11 | 9.567  | 4.331 | 5/8 | 7/16X6 | C2517     | CM110   | CW2517 | SN110 | SW2517 |
| 31 | 10.43 | 9.885  | 4.331 | 5/8 | 7/16X6 | C2517     | CM110   | CW2517 | SN110 | SW2517 |
| 32 | 10.75 | 10.202 | 4.331 | 5/8 | 7/16X6 | C2517     | CM110   | CW2517 | SN110 | SW2517 |
| 33 | 11.07 | 10.520 | 4.331 | 5/8 | 7/16X6 | C2517     | CM110   | CW2517 | SN110 | SW2517 |
| 34 | 11.39 | 10.838 | 4.331 | 5/8 | 7/16X6 | C2517     | CM110   | CW2517 | SN110 | SW2517 |
| 35 | 11.71 | 11.156 | 4.331 | 5/8 | 7/16X6 | C2517     | CM110   | CW2517 | SN110 | SW2517 |
| 36 | 12.03 | 11.474 | 4.331 | 5/8 | 7/16X6 | C2517     | CM110   | CW2517 | SN110 | SW2517 |
| 37 | 12.35 | 11.792 | 4.331 | 5/8 | 7/16X6 | C2517     | CM110   | CW2517 | SN110 | SW2517 |
| 38 | 12.67 | 12.110 | 4.331 | 5/8 | 7/16X6 | C2517     | CM110   | CW2517 | SN110 | SW2517 |
| 39 | 12.99 | 12.428 | 4.331 | 5/8 | 7/16X6 | C2517     | CM110   | CW2517 | SN110 | SW2517 |
| 40 | 13.31 | 12.745 | 4.331 | 5/8 | 7/16X6 | C2517     | CM110   | CW2517 | SN110 | SW2517 |
| 41 | 13.63 | 13.064 | 4.331 | 5/8 | 7/16X6 | C2517     | CM110   | CW2517 | SN110 | SW2517 |
| 42 | 13.94 | 13.382 | 4.331 | 5/8 | 7/16X6 | C2517     | CM110   | CW2517 | SN110 | SW2517 |
| 43 | 14.26 | 13.700 | 4.331 | 5/8 | 7/16X6 | C2517     | CM110   | CW2517 | SN110 | SW2517 |
| 44 | 14.58 | 14.018 | 4.331 | 5/8 | 7/16X6 | C2517     | CM110   | CW2517 | SN110 | SW2517 |
| 45 | 14.90 | 14.335 | 4.331 | 5/8 | 7/16X6 | C2517     | CM110   | CW2517 | SN110 | SW2517 |
| 46 | 15.22 | 14.654 | 4.331 | 5/8 | 7/16X6 | C2517     | CM110   | CW2517 | SN110 | SW2517 |
| 47 | 15.54 | 14.972 | 4.331 | 5/8 | 7/16X6 | C2517     | CM110   | CW2517 | SN110 | SW2517 |
| 48 | 15.86 | 15.290 | 4.331 | 5/8 | 7/16X6 | C2517     | CM110   | CW2517 | SN110 | SW2517 |
| 49 | 16.18 | 15.608 | 4.331 | 5/8 | 7/16X6 | C2517     | CM110   | CW2517 | SN110 | SW2517 |
| 50 | 16.50 | 15.926 | 4.331 | 5/8 | 7/16X6 | C2517     | CM110   | CW2517 | SN110 | SW2517 |
| 51 | 16.81 | 16.244 | 4.331 | 5/8 | 7/16X6 | C2517     | CM110   | CW2517 | SN110 | SW2517 |
| 52 | 17.13 | 16.562 | 4.331 | 5/8 | 7/16X6 | C2517     | CM110   | CW2517 | SN110 | SW2517 |
| 53 | 17.45 | 16.880 | 4.331 | 5/8 | 7/16X6 | C2517     | CM110   | CW2517 | SN110 | SW2517 |
| 54 | 17.77 | 17.200 | 4.331 | 5/8 | 7/16X6 | C2517     | CM110   | CW2517 | SN110 | SW2517 |
| 55 | 18.09 | 17.517 | 4.331 | 5/8 | 7/16X6 | C2517     | CM110   | CW2517 | SN110 | SW2517 |
| 56 | 18.41 | 17.835 | 4.331 | 5/8 | 7/16X6 | C2517     | CM110   | CW2517 | SN110 | SW2517 |
| 57 | 18.73 | 18.152 | 4.331 | 5/8 | 7/16X6 | C2517     | CM110   | CW2517 | SN110 | SW2517 |
| 58 | 19.04 | 18.471 | 4.331 | 5/8 | 7/16X6 | C2517     | CM110   | CW2517 | SN110 | SW2517 |
| 59 | 19.36 | 18.789 | 4.331 | 5/8 | 7/16X6 | C2517     | CM110   | CW2517 | SN110 | SW2517 |
| 60 | 19.68 | 19.108 | 4.331 | 5/8 | 7/16X6 | C2517     | CM110   | CW2517 | SN110 | SW2517 |
| 70 | 22.87 | 22.289 | 5.118 | 7/8 | 9/16X6 | C3020     | CM130   | CW3020 | SN130 | SW3020 |
| 72 | 23.50 | 22.906 | 5.118 | 7/8 | 9/16X6 | C3020     | CM130   | CW3020 | SN130 | SW3020 |
| 80 | 26.05 | 25.471 | 5.118 | 7/8 | 9/16X6 | C3020     | CM130   | CW3020 | SN130 | SW3020 |

# Transferable Sprockets

## Weld-on Sprockets

FOR ROLLER CHAINS ANSI B29.MI-1993

# 100

## 1 1/4"X3/4"

### PITCH-1 1/4"

### H=0.692"

| Z  | O.D   | P.D    | d     | B    | Mxn    | Hub Style |         |        |       |        |
|----|-------|--------|-------|------|--------|-----------|---------|--------|-------|--------|
|    |       |        |       |      |        | Bush      | CM/D,DS | CW     | SN/D  | SW     |
| 10 | 4.60  | 4.045  | 2.756 |      |        |           | CM70    |        |       |        |
| 11 | 5.01  | 4.436  | 2.756 |      |        | C1615     | CM70    | CW1615 |       |        |
| 12 | 5.42  | 4.830  | 2.756 |      |        | C1615     | CM70    | CW1615 |       |        |
| 13 | 5.82  | 5.222  | 3.543 |      |        | C2012     | CM90    | CW2012 |       |        |
| 14 | 6.23  | 5.617  | 3.543 |      |        | C2012     | CM90    | CW2012 |       |        |
| 15 | 6.63  | 6.013  | 4.331 |      |        | C2517     | CM110   | CW2517 |       |        |
| 16 | 7.03  | 6.407  | 4.331 |      |        | C2517     | CM110   | CW2517 |       |        |
| 17 | 7.44  | 6.791  | 4.331 |      |        | C2517     | CM110   | CW2517 |       |        |
| 18 | 7.84  | 7.199  | 4.331 |      |        | C2517     | CM110   | CW2517 |       |        |
| 19 | 8.24  | 7.595  | 4.331 |      |        | C2517     | CM110   | CW2517 |       |        |
| 20 | 8.64  | 7.991  | 4.331 |      |        | C2517     | CM110   | CW2517 |       |        |
| 21 | 9.04  | 8.387  | 4.331 | 53/4 | 7/16X6 | C2517     | CM110   | CW2517 | SN110 | SW2517 |
| 22 | 9.44  | 8.784  | 4.331 | 53/4 | 7/16X6 | C2517     | CM110   | CW2517 | SN110 | SW2517 |
| 23 | 9.84  | 9.180  | 4.331 | 53/4 | 7/16X6 | C2517     | CM110   | CW2517 | SN110 | SW2517 |
| 24 | 10.25 | 9.576  | 4.331 | 53/4 | 7/16X6 | C2517     | CM110   | CW2517 | SN110 | SW2517 |
| 25 | 10.65 | 9.974  | 4.331 | 53/4 | 7/16X6 | C2517     | CM110   | CW2517 | SN110 | SW2517 |
| 26 | 11.05 | 10.370 | 4.331 | 53/4 | 7/16X6 | C2517     | CM110   | CW2517 | SN110 | SW2517 |
| 27 | 11.44 | 10.767 | 5.118 | 71/8 | 9/16X6 | C3020     | CM130   | CW3020 | SN130 | SW3020 |
| 28 | 11.84 | 11.164 | 5.118 | 71/8 | 9/16X6 | C3020     | CM130   | CW3020 | SN130 | SW3020 |
| 29 | 12.24 | 11.561 | 5.118 | 71/8 | 9/16X6 | C3020     | CM130   | CW3020 | SN130 | SW3020 |
| 30 | 12.64 | 11.959 | 5.118 | 71/8 | 9/16X6 | C3020     | CM130   | CW3020 | SN130 | SW3020 |
| 31 | 13.04 | 12.356 | 5.118 | 71/8 | 9/16X6 | C3020     | CM130   | CW3020 | SN130 | SW3020 |
| 32 | 13.44 | 12.752 | 5.118 | 71/8 | 9/16X6 | C3020     | CM130   | CW3020 | SN130 | SW3020 |
| 33 | 13.84 | 13.150 | 5.118 | 71/8 | 9/16X6 | C3020     | CM130   | CW3020 | SN130 | SW3020 |
| 34 | 14.24 | 13.547 | 5.118 | 71/8 | 9/16X6 | C3020     | CM130   | CW3020 | SN130 | SW3020 |
| 35 | 14.64 | 13.945 | 5.118 | 71/8 | 9/16X6 | C3020     | CM130   | CW3020 | SN130 | SW3020 |
| 36 | 15.04 | 14.343 | 5.118 | 71/8 | 9/16X6 | C3020     | CM130   | CW3020 | SN130 | SW3020 |
| 37 | 15.44 | 14.740 | 5.118 | 71/8 | 9/16X6 | C3020     | CM130   | CW3020 | SN130 | SW3020 |
| 38 | 15.84 | 15.137 | 5.118 | 71/8 | 9/16X6 | C3020     | CM130   | CW3020 | SN130 | SW3020 |
| 39 | 16.23 | 15.535 | 5.118 | 71/8 | 9/16X6 | C3020     | CM130   | CW3020 | SN130 | SW3020 |
| 40 | 16.63 | 15.931 | 5.118 | 71/8 | 9/16X6 | C3020     | CM130   | CW3020 | SN130 | SW3020 |
| 41 | 17.03 | 16.330 | 5.118 | 71/8 | 9/16X6 | C3020     | CM130   | CW3020 | SN130 | SW3020 |
| 42 | 17.43 | 16.728 | 5.118 | 71/8 | 9/16X6 | C3020     | CM130   | CW3020 | SN130 | SW3020 |
| 43 | 17.83 | 17.125 | 5.118 | 71/8 | 9/16X6 | C3020     | CM130   | CW3020 | SN130 | SW3020 |
| 44 | 18.23 | 17.522 | 5.118 | 71/8 | 9/16X6 | C3020     | CM130   | CW3020 | SN130 | SW3020 |
| 45 | 18.63 | 17.920 | 5.118 | 71/8 | 9/16X6 | C3020     | CM130   | CW3020 | SN130 | SW3020 |
| 46 | 19.02 | 18.317 | 5.118 | 71/8 | 9/16X6 | C3020     | CM130   | CW3020 | SN130 | SW3020 |
| 47 | 19.42 | 18.715 | 5.118 | 71/8 | 9/16X6 | C3020     | CM130   | CW3020 | SN130 | SW3020 |
| 48 | 19.82 | 19.113 | 5.118 | 71/8 | 9/16X6 | C3020     | CM130   | CW3020 | SN130 | SW3020 |
| 49 | 20.22 | 19.510 | 5.118 | 71/8 | 9/16X6 | C3020     | CM130   | CW3020 | SN130 | SW3020 |
| 50 | 20.62 | 19.907 | 5.118 | 71/8 | 9/16X6 | C3020     | CM130   | CW3020 | SN130 | SW3020 |
| 51 | 21.02 | 20.305 | 5.118 | 71/8 | 9/16X6 | C3020     | CM130   | CW3020 | SN130 | SW3020 |
| 52 | 21.42 | 20.702 | 5.118 | 71/8 | 9/16X6 | C3020     | CM130   | CW3020 | SN130 | SW3020 |
| 53 | 21.81 | 21.100 | 5.118 | 71/8 | 9/16X6 | C3020     | CM130   | CW3020 | SN130 | SW3020 |
| 54 | 22.21 | 21.499 | 5.118 | 71/8 | 9/16X6 | C3020     | CM130   | CW3020 | SN130 | SW3020 |
| 55 | 22.61 | 21.897 | 5.118 | 71/8 | 9/16X6 | C3020     | CM130   | CW3020 | SN130 | SW3020 |
| 56 | 23.01 | 22.294 | 5.118 | 71/8 | 9/16X6 | C3020     | CM130   | CW3020 | SN130 | SW3020 |
| 57 | 23.41 | 22.691 | 5.118 | 71/8 | 9/16X6 | C3020     | CM130   | CW3020 | SN130 | SW3020 |
| 58 | 23.81 | 23.089 | 5.118 | 71/8 | 9/16X6 | C3020     | CM130   | CW3020 | SN130 | SW3020 |
| 59 | 24.20 | 23.486 | 5.118 | 71/8 | 9/16X6 | C3020     | CM130   | CW3020 | SN130 | SW3020 |
| 60 | 24.60 | 23.884 | 5.118 | 71/8 | 9/16X6 | C3020     | CM130   | CW3020 | SN130 | SW3020 |

# Transferable Sprockets

## Weld-on Sprockets

FOR ROLLER CHAINS ANIS B29.MI-1993

# 120

## 1 1/2" X 1"

### PITCH-1 1/2"

### H=0.924"

| Z  | O.D   | P.D    | d     | B     | Mxn     | Hub Style |         |        |       |        |
|----|-------|--------|-------|-------|---------|-----------|---------|--------|-------|--------|
|    |       |        |       |       |         | Bush      | CM/D,DS | CW     | SN/D  | SW     |
| 12 | 6.50  | 5.796  | 3.543 |       |         | C2012     | CM90    | CW2012 |       |        |
| 13 | 6.99  | 5.267  | 3.543 |       |         | C2012     | CM90    | CW2012 |       |        |
| 14 | 7.47  | 6.741  | 4.331 |       |         | C2517     | CM110   | CW2517 |       |        |
| 15 | 7.96  | 7.215  | 4.331 |       |         | C2517     | CM110   | CW2517 |       |        |
| 16 | 8.44  | 7.689  | 5.118 |       |         | C3020     | CM130   | CW3020 |       |        |
| 17 | 8.92  | 8.163  | 5.118 |       |         | C3020     | CM130   | CW3020 |       |        |
| 18 | 9.41  | 8.639  | 5.118 |       |         | C3020     | CM130   | CW2020 |       |        |
| 19 | 9.89  | 9.114  | 5.118 |       |         | C3020     | CM130   | CW3020 |       |        |
| 20 | 10.37 | 9.589  | 5.118 |       |         | C3020     | CM130   | CW3020 |       |        |
| 21 | 10.85 | 10.065 | 5.118 | 7/8   | 9/16X6  | C3020     | CM130   | CW3020 | SN130 | SW3020 |
| 22 | 11.33 | 10.541 | 5.118 | 7/8   | 9/16X6  | C3020     | CM130   | CW3020 | SN130 | SW3020 |
| 23 | 11.81 | 11.016 | 5.118 | 7/8   | 9/16X6  | C3020     | CM130   | CW3020 | SN130 | SW3020 |
| 24 | 12.29 | 11.491 | 5.118 | 7/8   | 9/16X6  | C3020     | CM130   | CW3020 | SN130 | SW3020 |
| 25 | 12.77 | 11.969 | 5.118 | 7/8   | 9/16X6  | C3020     | CM130   | CW3020 | SN130 | SW3020 |
| 26 | 13.25 | 12.444 | 5.118 | 7/8   | 9/16X6  | C3020     | CM130   | CW3020 | SN130 | SW3020 |
| 27 | 13.73 | 12.921 | 5.118 | 7/8   | 9/16X6  | C3020     | CM130   | CW3020 | SN130 | SW3020 |
| 28 | 14.21 | 13.396 | 5.118 | 7/8   | 9/16X6  | C3020     | CM130   | CW3020 | SN130 | SW3020 |
| 29 | 14.69 | 13.873 | 5.118 | 7/8   | 9/16X6  | C3020     | CM130   | CW3020 | SN130 | SW3020 |
| 30 | 15.17 | 14.350 | 5.118 | 7/8   | 9/16X6  | C3020     | CM130   | CW3020 | SN130 | SW3020 |
| 31 | 15.65 | 14.828 | 5.118 | 7/8   | 9/16X6  | C3020     | CM130   | CW3020 | SN130 | SW3020 |
| 32 | 16.13 | 15.303 | 5.118 | 7/8   | 9/16X6  | C3020     | CM130   | CW3020 | SN130 | SW3020 |
| 33 | 16.61 | 15.780 | 5.118 | 7/8   | 9/16X6  | C3020     | CM130   | CW3020 | SN130 | SW3020 |
| 34 | 17.09 | 16.257 | 5.118 | 7/8   | 9/16X6  | C3020     | CM130   | CW3020 | SN130 | SW3020 |
| 35 | 17.57 | 16.734 | 5.118 | 7/8   | 9/16X6  | C3020     | CM130   | CW3020 | SN130 | SW3020 |
| 36 | 18.05 | 17.211 | 5.118 | 7/8   | 9/16X6  | C3030     | CM130   | CW3030 | SN130 | SW3030 |
| 37 | 18.53 | 17.688 | 5.118 | 7/8   | 9/16X6  | C3030     | CM130   | CW3030 | SN130 | SW3030 |
| 38 | 19.01 | 18.165 | 5.118 | 7/8   | 9/16X6  | C3030     | CM130   | CW3030 | SN130 | SW3030 |
| 39 | 19.50 | 18.642 | 5.118 | 7/8   | 9/16X6  | C3030     | CM130   | CW3030 | SN130 | SW3030 |
| 40 | 19.96 | 19.119 | 5.118 | 7/8   | 9/16X6  | C3030     | CM130   | CW3030 | SN130 | SW3030 |
| 41 | 20.44 | 19.604 | 5.118 | 7/8   | 9/16X6  | C3030     | CM130   | CW3030 | SN130 | SW3030 |
| 42 | 20.92 | 20.073 | 5.118 | 7/8   | 9/16X6  | C3030     | CM130   | CW3030 | SN130 | SW3030 |
| 43 | 21.40 | 20.550 | 5.118 | 7/8   | 9/16X6  | C3030     | CM130   | CW3030 | SN130 | SW3030 |
| 44 | 21.89 | 21.027 | 5.118 | 7/8   | 9/16X6  | C3030     | CM130   | CW3030 | SN130 | SW3030 |
| 45 | 22.35 | 21.504 | 5.118 | 7/8   | 9/16X6  | C3030     | CM130   | CW3030 | SN130 | SW3030 |
| 46 | 22.83 | 21.981 | 6.102 | 87/16 | 11/16X6 | C3535     | CM155   | CW3535 | SN155 | SW3535 |
| 47 | 23.31 | 22.458 | 6.102 | 87/16 | 11/16X6 | C3535     | CM155   | CW3535 | SN155 | SW3535 |
| 48 | 23.79 | 22.935 | 6.102 | 87/16 | 11/16X6 | C3535     | CM155   | CW3535 | SN155 | SW3535 |
| 49 | 24.27 | 23.412 | 6.102 | 87/16 | 11/16X6 | C3535     | CM155   | CW3535 | SN155 | SW3535 |
| 50 | 24.76 | 23.889 | 6.102 | 87/16 | 11/16X6 | C3535     | CM155   | CW3535 | SN155 | SW3535 |
| 51 | 25.23 | 24.366 | 6.102 | 87/16 | 11/16X6 | C3535     | CM155   | CW3535 | SN155 | SW3535 |
| 52 | 25.71 | 24.843 | 6.102 | 87/16 | 11/16X6 | C3535     | CM155   | CW3535 | SN155 | SW3535 |
| 53 | 26.19 | 25.320 | 6.102 | 87/16 | 11/16X6 | C3535     | CM155   | CW3535 | SN155 | SW3535 |
| 54 | 26.65 | 25.797 | 6.102 | 87/16 | 11/16X6 | C3535     | CM155   | CW3535 | SN155 | SW3535 |
| 55 | 27.13 | 26.276 | 6.102 | 87/16 | 11/16X6 | C3535     | CM155   | CW3535 | SN155 | SW3535 |
| 56 | 27.61 | 26.752 | 6.102 | 87/16 | 11/16X6 | C3535     | CM155   | CW3535 | SN155 | SW3535 |
| 57 | 28.09 | 27.230 | 6.102 | 87/16 | 11/16X6 | C3535     | CM155   | CW3535 | SN155 | SW3535 |
| 58 | 28.57 | 27.706 | 6.102 | 87/16 | 11/16X6 | C3535     | CM155   | CW3535 | SN155 | SW3535 |
| 59 | 29.05 | 28.183 | 6.102 | 87/16 | 11/16X6 | C3535     | CM155   | CW3535 | SN155 | SW3535 |
| 60 | 29.52 | 28.660 | 6.102 | 87/16 | 11/16X6 | C3535     | CM155   | CW3535 | SN155 | SW3535 |
| 70 | 34.30 | 33.433 | 6.102 | 87/16 | 11/16X6 | C3535     | CM155   | CW3535 | SN155 | SW3535 |
| 72 | 35.26 | 34.389 | 6.102 | 87/16 | 11/16X6 | C3535     | CM155   | CW3535 | SN155 | SW3535 |
| 80 | 39.08 | 38.206 | 6.102 | 87/16 | 11/16X6 | C3535     | CM155   | CW3535 | SN155 | SW3535 |